



SIROCCO (30 po)



Hotte de cuisine murale

Spécifications

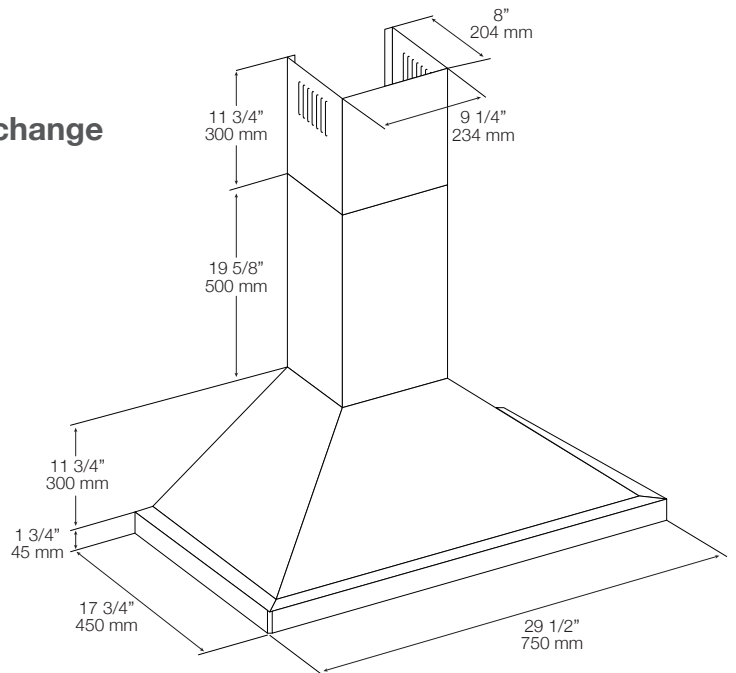
- 29 1/2" x 17 3/4" x 13 1/2"
(750 x 450 x 345mm)
- Puissant moteur d'une capacité de 450 pi3/min (CFM)
- 0.7 – 6.5 Sones (35 – 67 dB)
- 5 boutons de commande
- 3 niveaux de vitesse (800 – 1300 RPM)
- 2 filtres en aluminium à fixation rapide (allant au lave-vaisselle)
- 2 lumières DEL rondes incluses (2W 12V)
- Conçu pour plafonds de 8 pi ou 9 pi, 2 sections de cheminée incluses
- Tuyau flexible métallique de 6" de diamètre inclus
- Clapet, quincaillerie et manuel d'installation dans la boîte
- Extensions de cheminée 10pi optionnelles disponibles

Pièces de rechange

(FIL13)

(LED02)

(CHEM13-D)



T. 514.636.5445

F. 514.636.5628

info@nautika.ca

www.nautika.ca

Évacuation	Pression d'air	Bruit	Conduit
450 CFM	150 Pa	0.7 – 6.5 Sones 35 – 67 dB	6"





SIROCCO (30'')



Wallmount kitchen hood

Specifications

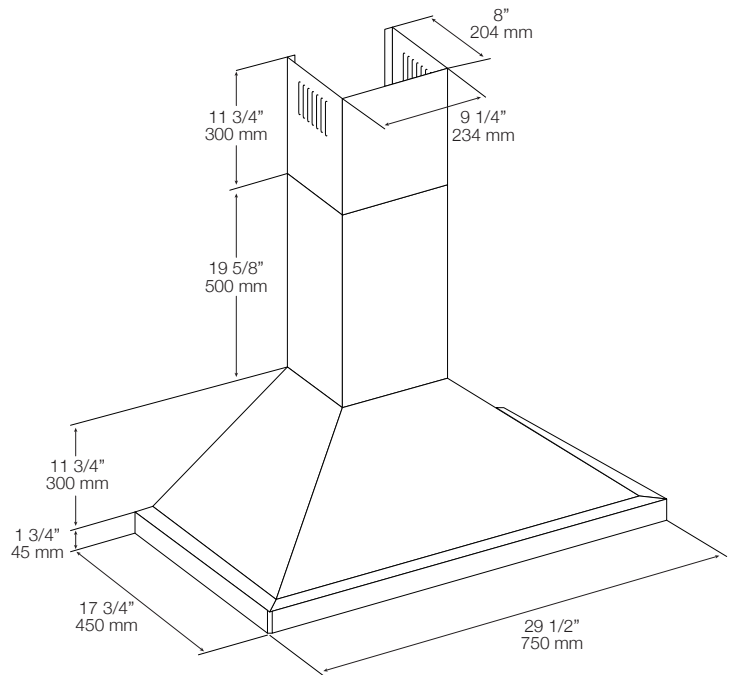
- 29 1/2" x 17 3/4" x 13 1/2"
(750 x 450 x 345mm)
- Powerful motor generates up to 450 CFM airflow
- 0.7 – 6.5 Sones (35 – 67 dB)
- 5 button control
- 3 speed levels (800 – 1300 RPM)
- 2 quick-release aluminium filters (dishwasher safe)
- 2 round LED lights included (2W 12V)
- Designed to fit both 8 ft and 9 ft, 2 chimney sections included
- 6" diameter flexible metal tube included
- Damper, hardware and installation guide are included in the box
- Optional chimney 10ft extensions are available

Repair parts

(FIL13)

(LED02)

(CHEM13-D)



T. 514.636.5445

F. 514.636.5628

info@nautika.ca

www.nautika.ca

CFM	Air pressure	Noise	Conduit
450 CFM	150 Pa	0.7 – 6.5 Sones 35 – 67 dB	6"

